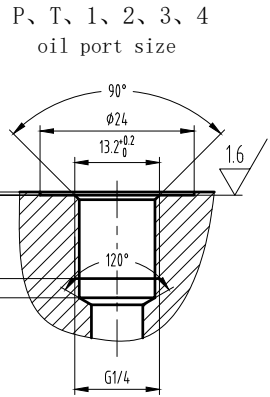
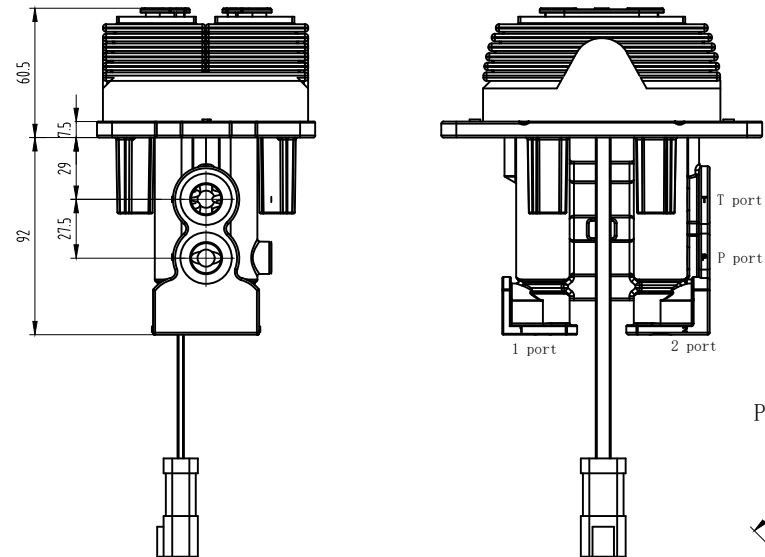
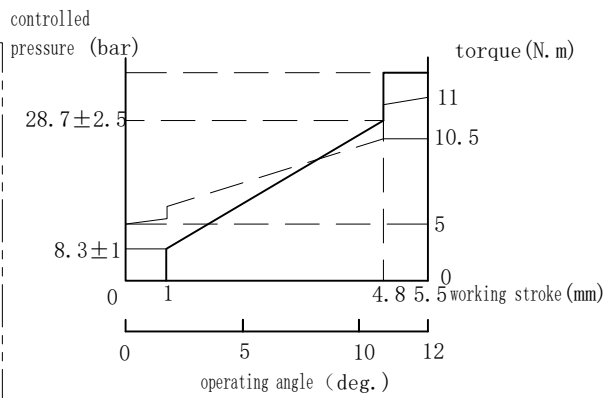
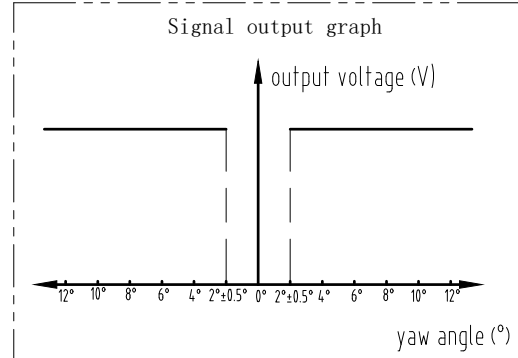
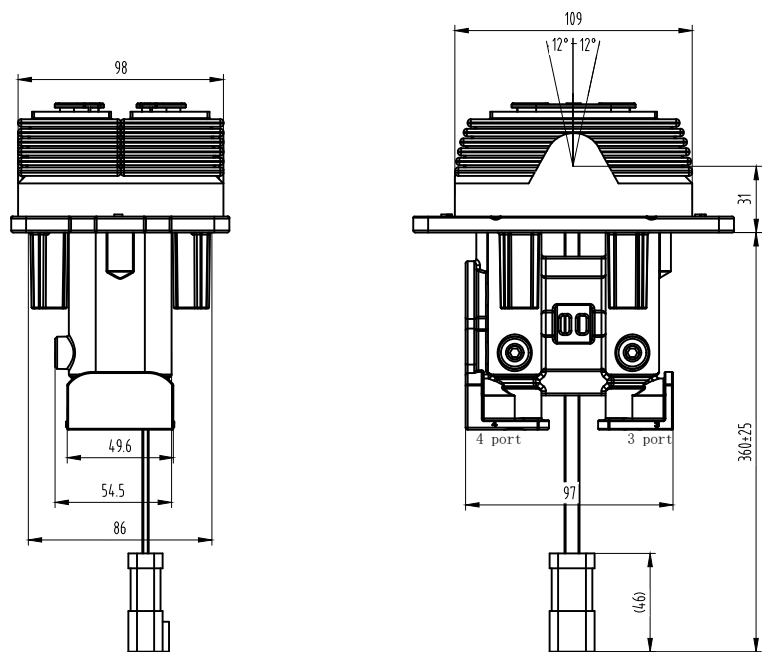
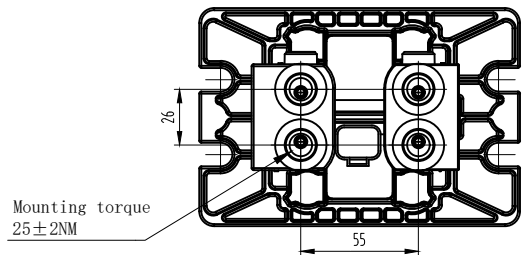


Z11000112



借通用件登记

描图

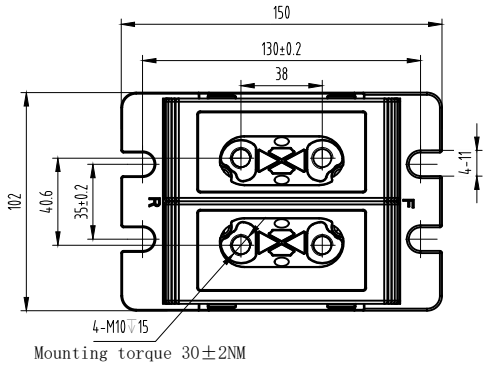
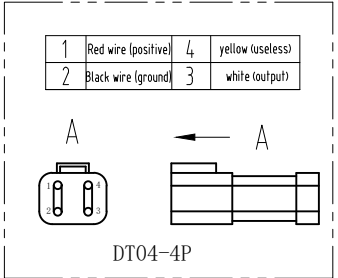
校核

旧底图总号

签字

日期

wiring method



skills requirement:

- Maximum inlet pressure: 5MPa
- Maximum back pressure: 0.3MPa
- Flow rate: 16L/min
- Appearance and material: aluminum alloy material, metal color
- Working oil temperature: -20°C ~ 90°C
- Cleanliness: within NAS8
- Input voltage range: 6.5-36VDC
- Output voltage value = input voltage value
- Allowable current: MAX 1.5A
- Maximum operating torque: 200NM
- Storage temperature: -40°C to +60°C

				FPP-M9-X1			Ningbo Flag-up Hydraulic	
								Electric feedback buffer foot valve
mark number	changed file number	signature	date	designer	approver	pattern mark	weight	proportion
								1:2.5
inspector				craft				
standard	date	2021/10/28	version			visual angle		
							811000112	