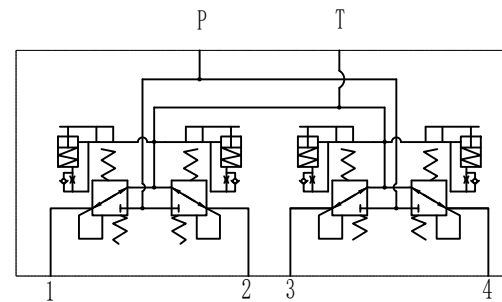


G1/4 hole pattern

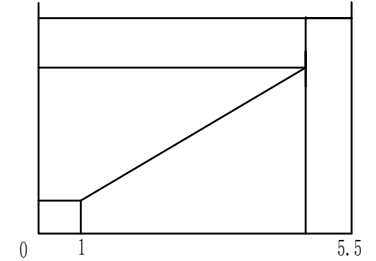
skills requirement:

1. Maximum inlet pressure: 6.9MPa;
2. Maximum back pressure: 0.3MPa;
3. Flow rate: 10L/min;
4. Working oil temperature: -20°C~90°C;
5. Cleanliness: within NAS9

Hydraulic Schematic



Controlled Pressure (bar) Performance Curve Working Stroke (mm)



Installation drawing

FPP-J8-X2

mark	number	changed file number	signature	date	designer	approver	pattern mark	weight	proportion
inspector	craft	standardization	date	version	III	visual angle	☐ ⊕	4.4KG	1:2.5

Ningbo Flag-up Hydraulic Co., Ltd.

Buffer foot valve

811000065