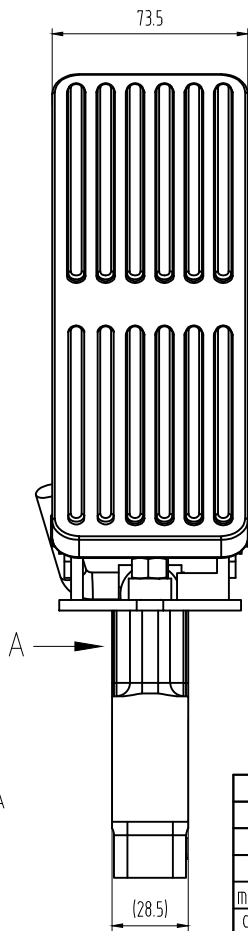
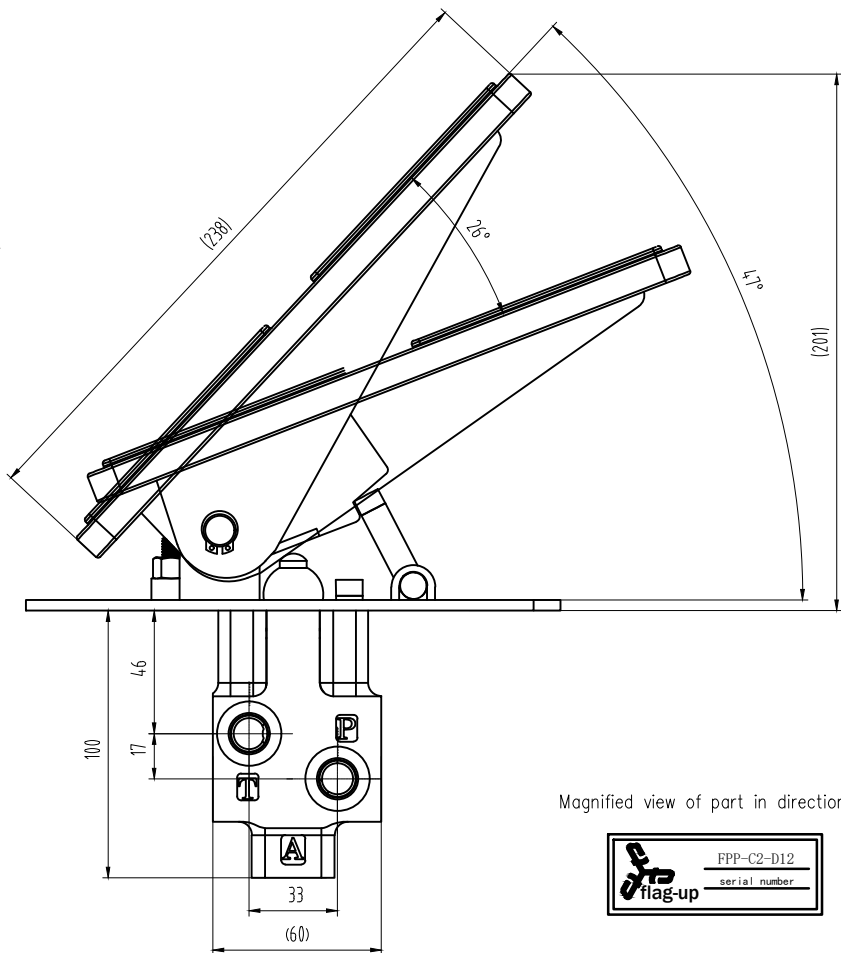
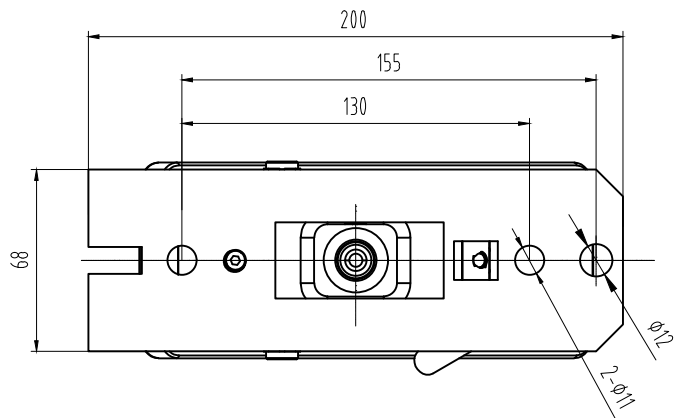


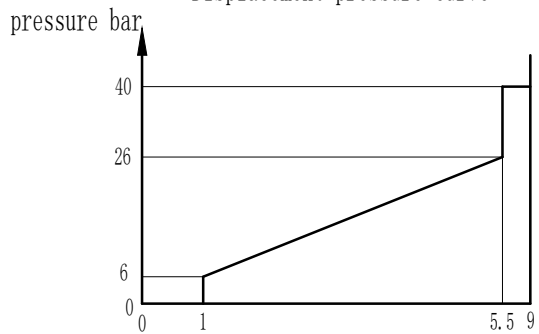
671000118



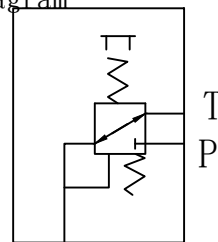
Magnified view of part in direction A



Displacement-pressure curve

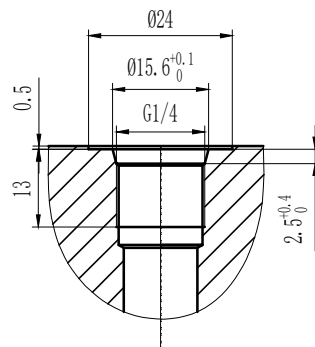


Hydraulic schematic diagram



A

Oil port hole pattern diagram



Technical requirements:

1. Maximum pressure: 50 bar
2. Rated pressure: 40 bar
3. T mouth back pressure: 3 bar
4. Use oil: mineral oil
5. viscosity range: 10 ~ 380 mm²/s
6. oil temperature: -20°C ~ 80°C
7. Cleanliness: NAS Level 9

				FPP-C2-D12			Ningbo Flag-up Hydraulic	
							Single hole foot valve	
mark number	changed file	signature	date	pattern mark	weight	proportion		
designer		approver			25KG	1:2		
inspector								
craft								
standard		date	2023/3/27	version	I	visual angle		
							811000149	

借通用件登记
描图
校描
旧底图总号
签字
日期