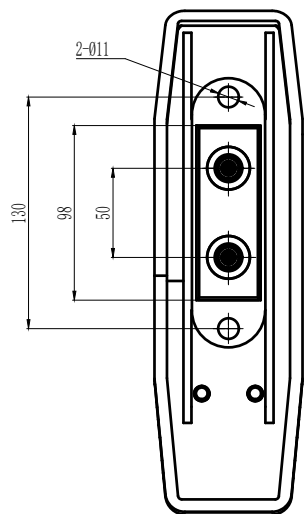
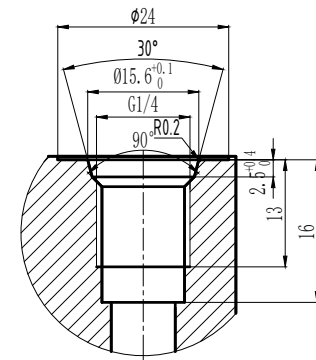
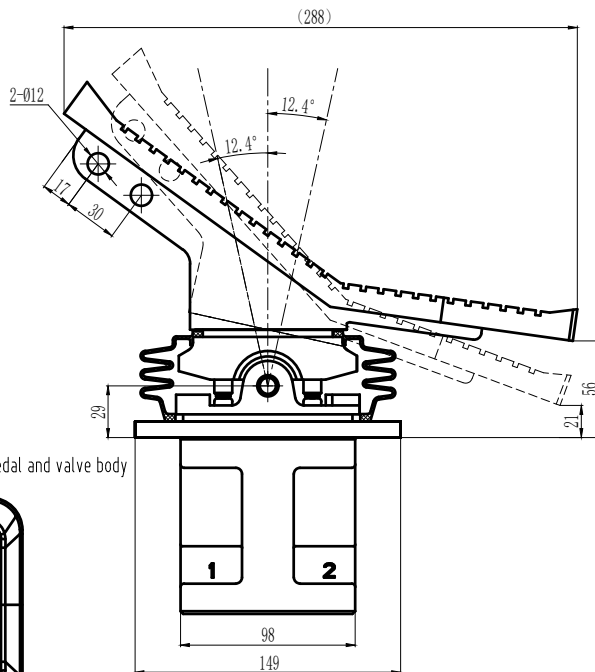
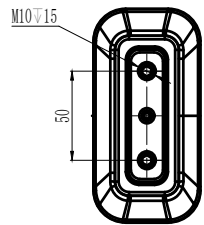


B

B-direction

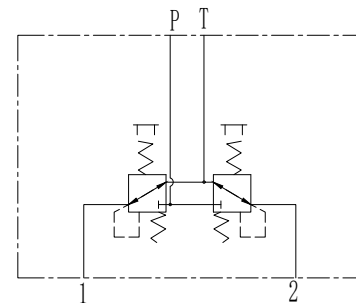


hole distance between pedal and valve body

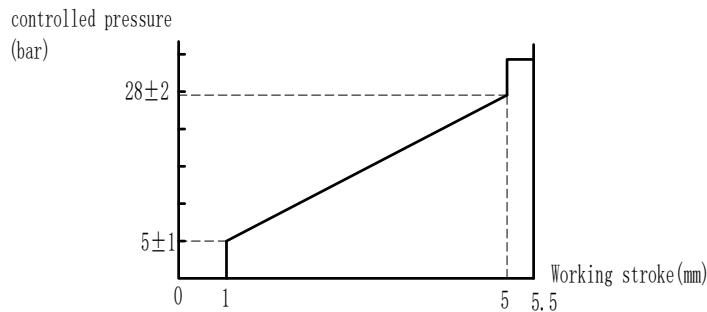


G1/4E0 port size

Hydraulic Schematic



性能曲线



Technical requirement

1. Maximum inlet pressure: 6.9MPa
2. Maximum back pressure: 0.3MPa
3. Flow rate: 10L/min
4. Body material: HT300
5. Working oil temperature: -20℃ -90℃
6. Cleanliness: NAS9 or lower

FPP-B7-A2						Ningbo Flag-up Hydraulic Co., Ltd.	
Single pedal Valve (lightweight)						811000030	
mark	number	changed	file number	signature	date	designer	approver
inspector						pattern mark	weight
craft						proportion	
standard						version	visual angle

借通用件登记
描图
校描
旧底图总号
签字
日期