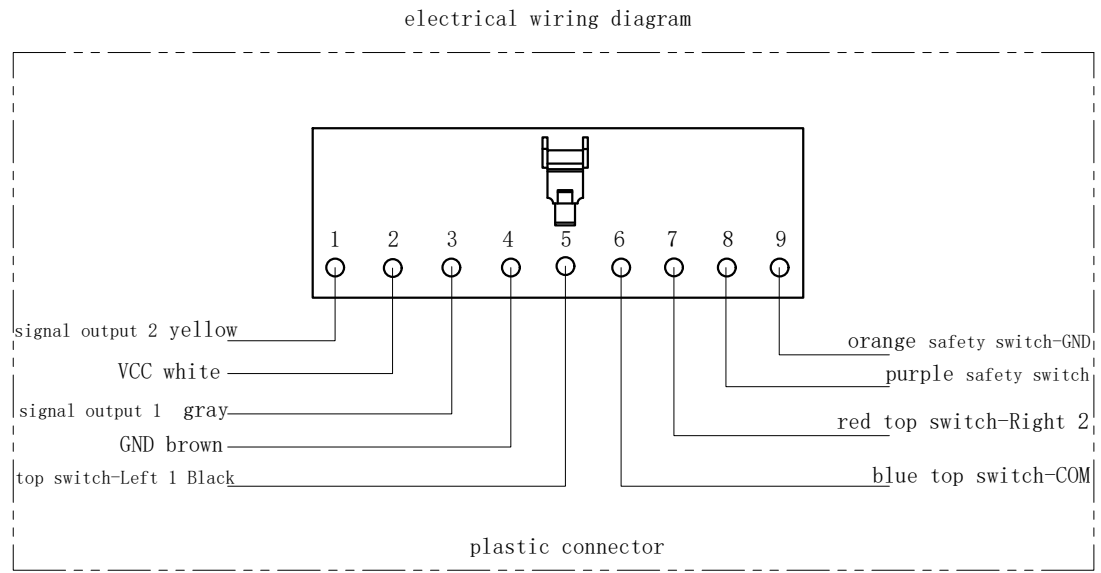
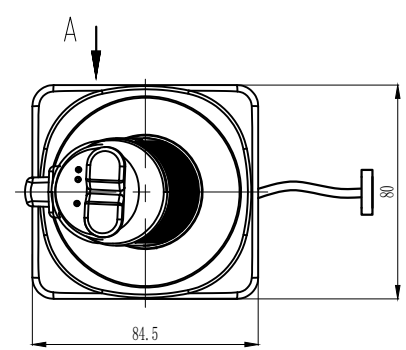
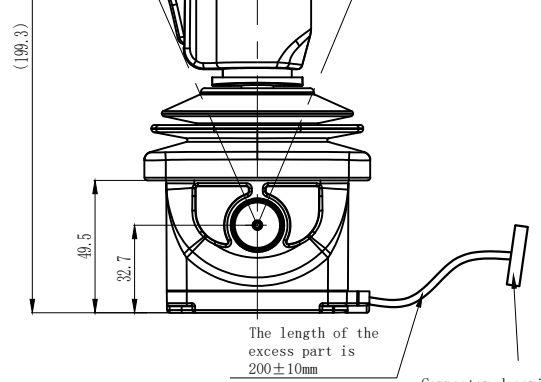
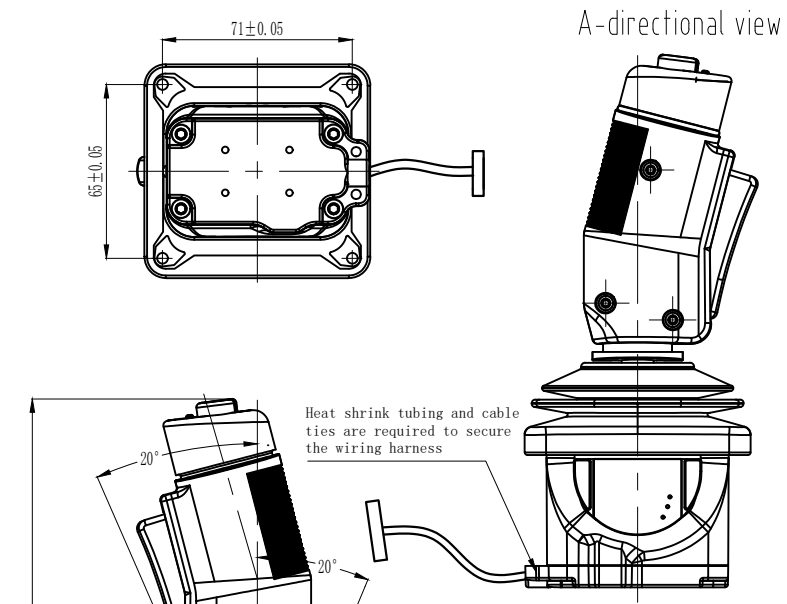


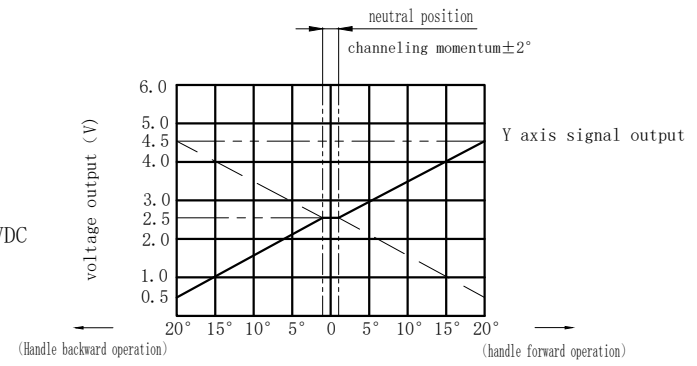
LZ0005118



Specifications:

- Power rules:
  - Power supply voltage:  $5 \pm 0.5VDC$
  - Current consumption: 11mA (single axis)
  - Limit allowable overvoltage: 20VDC
  - Reverse limit allowable overvoltage: -10VDC
  - Output voltage linearity error:  $< \pm 0.2V$

2. Signal output:



temperature range	0.5V	median	4.5V
-30~70°C	$\pm 0.2V$	$\pm 0.2V$	$\pm 0.2V$

- Mechanical median:  $\pm 2^\circ$
- Operating temperature range: -30~70° C
- Operation method: spring automatic reset
- Swing angle:  $\pm 20^\circ$

Technical requirements:  
 1. The connection part is locked according to the specified torque;  
 2. Lubricating oil should be applied to the moving slot of the slider during assembly. Apply lubricating oil to the contact between the fixed shaft and the oil-free bearing.

				FP20-1YA-S-H23-A			Ningbo Flag-up Hydraulic High machine one word electric control handle	
mark number	changed file number	signature	date	designer	approver	pattern mark		weight
inspector				craft				1:2
standard		date		version	II	visual angle		

811500021

借通用件登记  
 描图  
 校描  
 旧底图总号  
 签字  
 日期