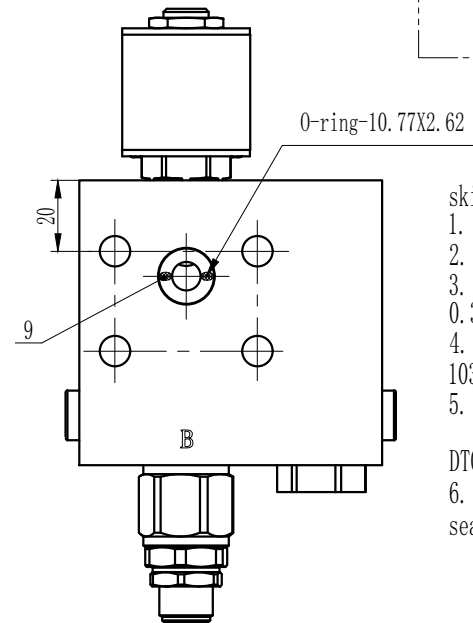
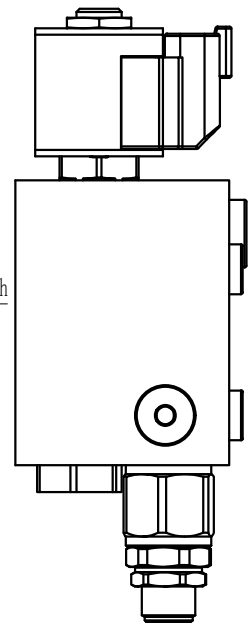
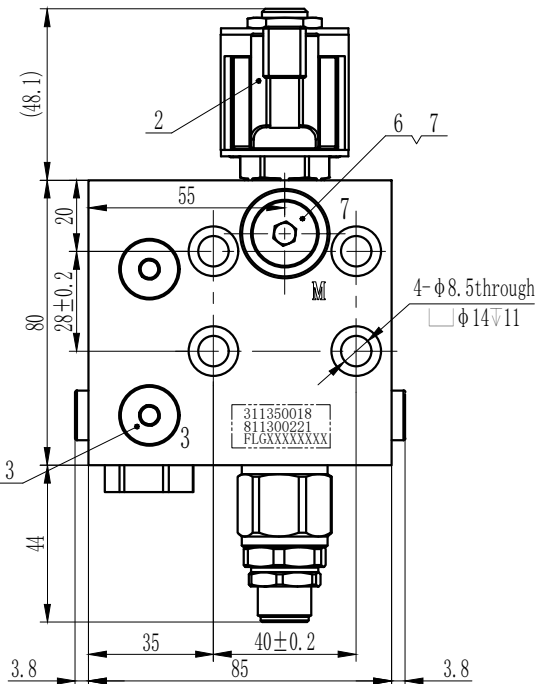
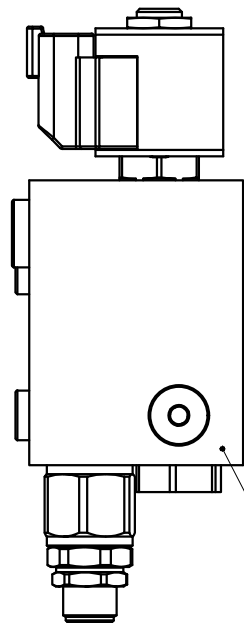
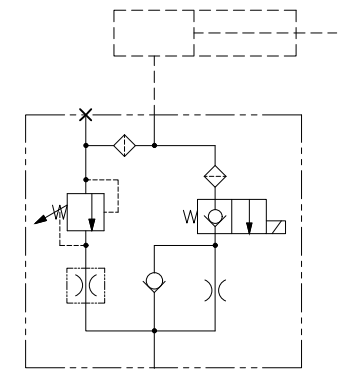
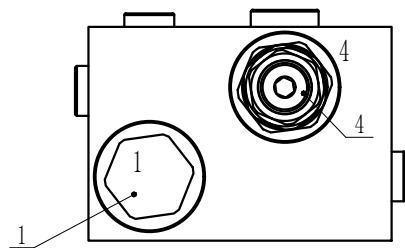


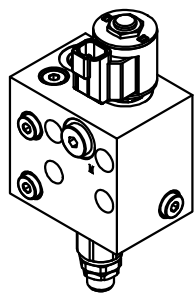
17200221



skills requirement

1. Rated pressure: 207bar;
2. Rated flow: 30L/min;
3. One-way valve opening pressure: 0.3bar;
4. Set pressure of relief valve: 103bar (Q=5L/min);
5. Coil working voltage: 20VDC±15%; Connector: DEUTSCH DT04-2P;
6. Oil port thread: B2 is G3/8 (ED seal);

M is G1/4 (ED seal);  
B is φ6.



| 6      | 700700002      | G1/4ED cap                         | 1        |          |        | outsourcing  |        |
|--------|----------------|------------------------------------|----------|----------|--------|--------------|--------|
| 5      | 700700007      | M10X1ED cap                        | 5        |          |        | outsourcing  |        |
| 4      | 711350139      | Overflow valve TRV08-20-0-V-31/M03 | 1        |          |        | Flag-up      |        |
| 3      | 711350086.12   | T-damping M6X6-φ1.2                | 1        |          |        | outsourcing  |        |
| 2      | 711350158      | Solenoid valve ISV08-R20G-0-V-20ER | 1        |          |        | Flag-up      |        |
| 1      | 711350157      | Check valve ICV08-20-0-V-5         | 1        |          |        | Flag-up      |        |
| number | drawing number | name                               | quantity | material | signal | total weight | remark |

借通用件登记  
描图  
校描  
旧底图总号

| 9      | 711320015      | O-ring 10.77X2.62       | 1        | NBR 90SH                |        | outsourcing  |        |
|--------|----------------|-------------------------|----------|-------------------------|--------|--------------|--------|
| 8      | 311350018      | Upper lift valve block  | 1        | Aluminium alloy 7075-T6 |        | self-control |        |
| 7      | 711350016      | Filter plug M10X1(100μ) | 1        |                         |        | outsourcing  |        |
| number | drawing number | name                    | quantity | material                | signal | total weight | remark |

General assembly drawing

Ningbo Flag-up Hydraulic  
flag-up

Up lift control valve

811300221

1:1.5

2023/7/17

version IV

visualangle

签字  
日期